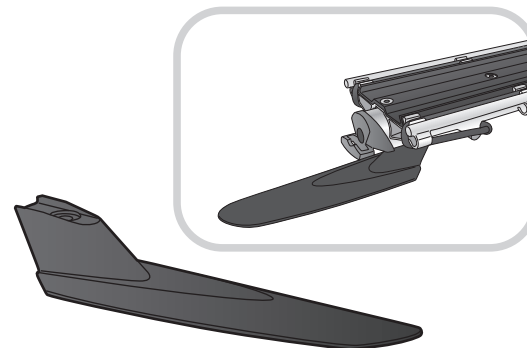


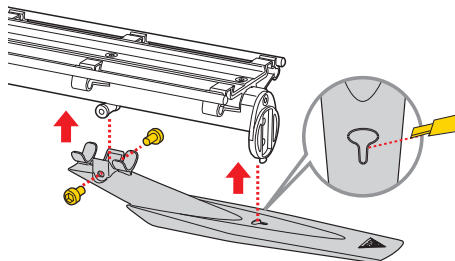
MTX DeFender  
 Art No. TC9615  
 Fits MTX BeamRack (A-type, E-type, V-type)  
 MTX BeamRack EX



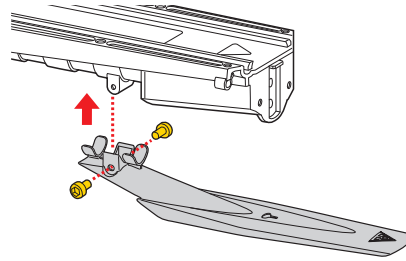
RX DeFender  
 Art No. TC9616  
 Fits RX BeamRack (E-type, V-type)

## INSTALLATION OF MTX DEFENDER

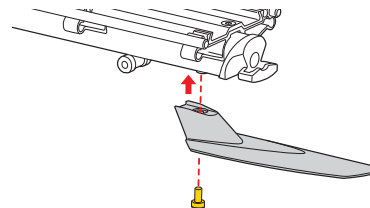
e.x. MTX BeamRack E-Type



e.x. MTX BeamRack EX



## INSTALLATION OF RX DEFENDER



## WARRANTY

2-year Warranty: All mechanical components against manufacturer defects only.

### Warranty Claim Requirements

To obtain warranty service, you must have your original sales receipt. Items returned without a sales receipt will assume that the warranty begins on the date of manufacture. All warranties will be void if the product is damaged due to user crash, abuse, system alteration, modification, or used in any way not intended as described in this manual.

\*The specifications and design are subject to change without notice.

**Please contact your Topeak dealer with any questions.**

For USA customer service call: 1-800-250-3068 / [www.topeak.com](http://www.topeak.com)